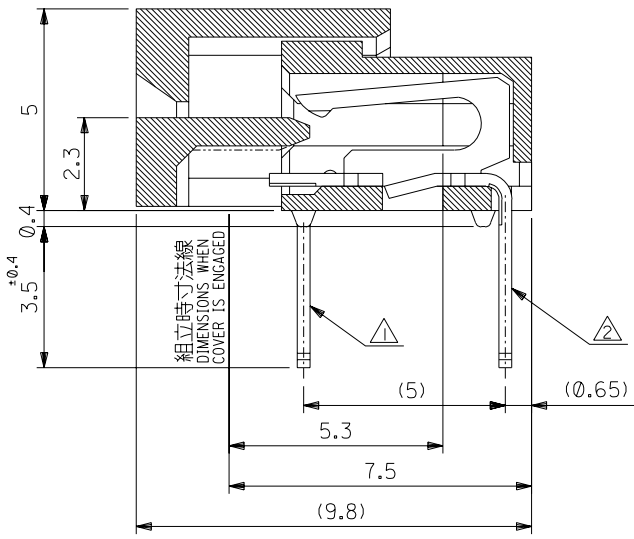
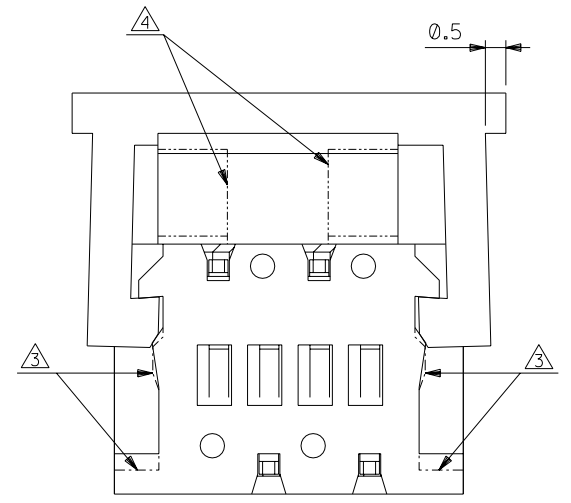
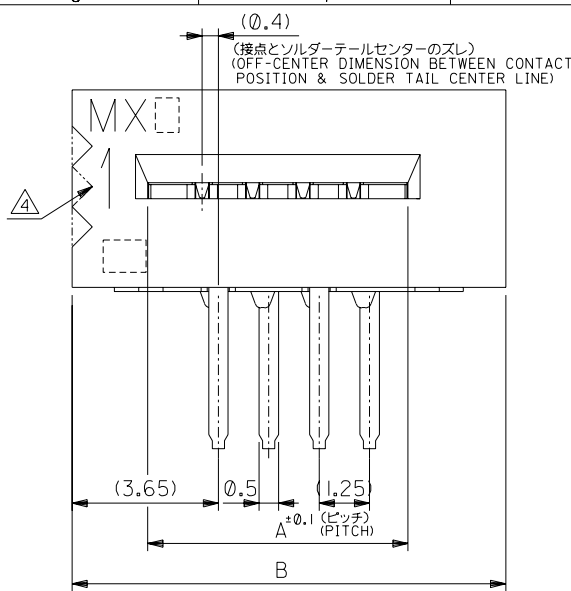


DO NOT SCALE DRAWING

DWG. NO. SD-5597-004



注記 NOTES

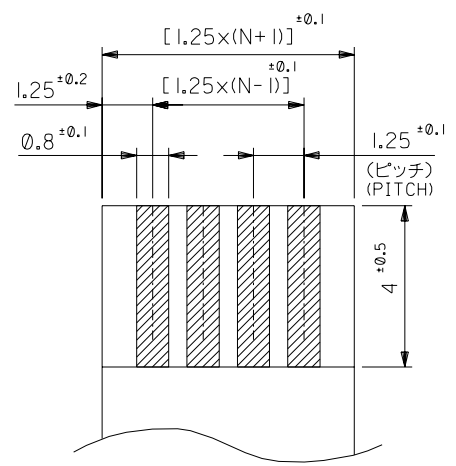
- ① MX J側を基準に奇数番目の極におけるソルダーテール。
SOLDER TAIL OF ODD CKTS, MXJ MARK AS BASIC.
- ② MX J側を基準に偶数番目の極におけるソルダーテール。
SOLDER TAIL OF EVEN CKTS, MXJ MARK AS BASIC.
- ③ 3極~10極に適用。APPLY FOR 3-10 CKTS.
- ④ 3極~19極に適用。APPLY FOR 3-19 CKTS.
- 5. () 内寸法は、参考値。
() DIMENSION IS FOR REFERENCE.
- 6. ソルダーテールは、先端が取付推奨穴にガイドされること。
ガイドされること。
SOLDER TAILS MAY BE CHECKED BY INSERTION FOR RECOMMENDED PCB BOARD HOLES.

48.25	43.95	39-51-3343	5597-34APB	34
47.00	42.70	-3333	-33APB	33
45.75	41.45	-3323	-32APB	32
44.50	40.20	-3313	-31APB	31
43.25	38.95	-3303	-30APB	30
42.00	37.70	-3293	-29APB	29
40.75	36.45	-3283	-28APB	28
39.50	35.20	-3273	-27APB	27
38.25	33.95	-3263	-26APB	26
37.00	32.70	-3253	-25APB	25
35.75	31.45	-3243	-24APB	24
34.50	30.20	-3233	-23APB	23
33.25	28.95	-3223	-22APB	22
32.00	27.70	-3213	-21APB	21
30.75	26.45	-3203	-20APB	20
29.50	25.20	-3193	-19APB	19
28.25	23.95	-3183	-18APB	18
27.00	22.70	-3173	-17APB	17
25.75	21.45	-3163	-16APB	16
24.50	20.20	-3153	-15APB	15
23.25	18.95	-3143	-14APB	14
22.00	17.70	-3133	-13APB	13
20.75	16.45	-3123	-12APB	12
19.50	15.20	-3113	-11APB	11
18.25	13.95	-3103	-10APB	10
17.00	12.70	-3093	-09APB	9
15.75	11.45	-3083	-08APB	8
14.50	10.20	-3073	-07APB	7
13.25	8.95	-3063	-06APB	6
12.00	7.70	-3053	-05APB	5
10.75	6.45	-3043	-04APB	4
9.50	5.20	39-51-3033	5597-03APB	3
B	A	MATERIAL NO.	ENG. NO.	極数 CKT.

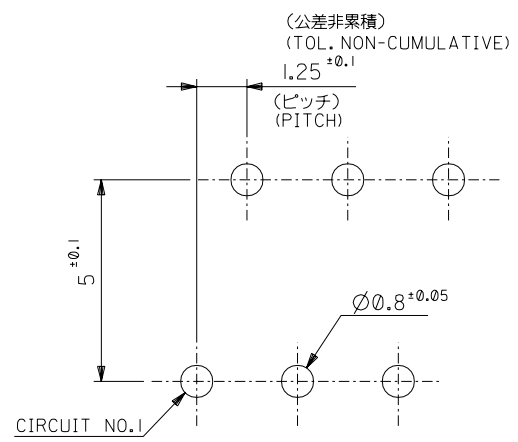
164 NO. DRAWN: CHK: APPR:	163 NO. DRAWN: CHK: APPR:	162 NO. DRAWN: CHK: APPR:	161 NO. DRAWN: CHK: APPR:	再作図及び変更 REDRAWN & REVISED 160 NO. J2003-2624 DRAWN: K. TOJO '03/04/17 CHK: H. Saito '03/04/17 APPR: H. Saito '03/04/17	MATERIAL HOUSING, ACTUATOR : 材料 PBTP, UL94V-0 TERMINAL : PHOSPHOR-BRONZE THK : 0.3t	GENERAL TOLERANCES: (UNLESS SPECIFIED) 一般公差	SCALE 1:1	DESIGN UNITS <input checked="" type="checkbox"/> mm <input type="checkbox"/> INCH	<input checked="" type="checkbox"/> THIRD ANGLE <input type="checkbox"/> PROJECTION	DIMENSIONS: <input type="checkbox"/> mm <input type="checkbox"/> INCH <input checked="" type="checkbox"/> mm ONLY	SHT 2	REV 01
					FINISH TIN-LEAD(9:1) 3~5MICRON 仕上げMETER OVER COPPER 1~2.5 MICRON METER PLATING.	10 UNDER 未満 ±0.2 10 OVER 以上 30 UNDER 未満 ±0.25 30 OVER 以上 ±0.3	DRAWN BY & DATE K. TOJO '03/04/15 CHECKED BY & DATE H. Saito '03/04/17 APPROVED BY & DATE H. Saito '03/04/17	TITLE: 1.25 FPC Conn Assy ZIF			CAD FILENAME SD-5597-004.S01	MATERIAL NO. 39-51-3**3
WIRE RANGE 適用線径範囲					INS. RANGE 被覆外径	ANGLE 角度 ±3°	THIS DRAWING CONTAINS INFORMATION THAT IS PROPRIETARY TO MOLEX INCORPORATED AND SHOULD NOT BE USED WITHOUT WRITTEN PERMISSION.					SIZE B

5597-004.S04

8 7 6 5 4 3 2 1



適合FPC/FFC推奨寸法
RECOMMENDED FPC/FFC
厚さ THK : 0.3 ±0.05



基板取付穴推奨寸法 (t=1.6)
RECOMMENDED P.C. BOARD
HOLE DIMENSION

DRAWING NO. DRAWN: CHK: APPR:	DRAWING NO. DRAWN: CHK: APPR:	DRAWING NO. DRAWN: CHK: APPR:	DRAWING NO. DRAWN: CHK: APPR:	DRAWING NO. DRAWN: CHK: APPR:	再作図及び変更 REDRAWN & REVISED DRAWING NO. J2003-2624 DRAWN: K. TOJO '03/04/17 CHK: H. Sasaki '03/04/17 APPR: H. Sasaki '03/04/17	MATERIAL 材料	GENERAL TOLERANCES: (UNLESS SPECIFIED) 一般公差	SCALE	DESIGN UNITS	DIMENSIONS: <input type="checkbox"/> mm <input type="checkbox"/> INCH <input checked="" type="checkbox"/> mm ONLY	SHT	REV
						SEE SHEET I	10 UNDER 未満	///	<input checked="" type="checkbox"/> mm <input type="checkbox"/> INCH			
DRAWING NO. DRAWN: CHK: APPR:	DRAWING NO. DRAWN: CHK: APPR:	DRAWING NO. DRAWN: CHK: APPR:	DRAWING NO. DRAWN: CHK: APPR:	DRAWING NO. DRAWN: CHK: APPR:	再作図及び変更 REDRAWN & REVISED DRAWING NO. J2003-2624 DRAWN: K. TOJO '03/04/17 CHK: H. Sasaki '03/04/17 APPR: H. Sasaki '03/04/17	FINISH 仕上り	10 OVER 30 UNDER 未満	///	///	TITLE: 1.25 FPC Conn Assy ZIF	DRAWN BY & DATE K. TOJO '03/04/15	CHECKED BY & DATE H. Sasaki '03/04/17
						SEE SHEET I	30 OVER 以上	///	///			
DRAWING NO. DRAWN: CHK: APPR:	DRAWING NO. DRAWN: CHK: APPR:	DRAWING NO. DRAWN: CHK: APPR:	DRAWING NO. DRAWN: CHK: APPR:	DRAWING NO. DRAWN: CHK: APPR:	再作図及び変更 REDRAWN & REVISED DRAWING NO. J2003-2624 DRAWN: K. TOJO '03/04/17 CHK: H. Sasaki '03/04/17 APPR: H. Sasaki '03/04/17	WIRE RANGE 適用電線範囲	ANGLE 角度	///	///	MATERIAL NO. 39-51-3**3	DRAWING NO. SD-5597-004	SHEET NO. 2 OF 2
						INS. RANGE 被覆外径	///	///	CAD FILENAME SD-5597-004.S02			